



Setting the Standard

Diverse rail length
400mm ~ 2500mm

LINK CONVEYOR

Used in the SMT line to connect equipment effectively through SMEMA interface



Features

- PLC control
- SMEMA interface
- Buzzer, SMEMA interface LED display
- Compact design
- Durable structure by double base plate



Options

- Motorized auto width control system
- ESD safety cover
- Conveyor speed control
- Holding more than 2 PCB's by stopper or individual operation
- Front door
- PCB cooling fan
- Customized Manufacturing



COVER



COOLING



COOLING 06B SIDE
ROLLER CHAIN TYPE

MODEL	TYPE	Max. PCB(L x W)	Min. PCB(L x W)	Dimension(L x W x H)	Power	Weight (kg)
ACC-60S	S	330 x 250	50 x 50	600 x 600 x 910	0.1kVA	70
ACC-60Y	Y	440 x 330		600 x 680 x 910		80
ACC-60L	L	530 x 375		600 x 725 x 910		90
ACC-60X	X	530 x 460		600 x 810 x 910		100
ACC-802X	2X	610 x 460		800 x 810 x 910		110



Setting the Standard REJECT CONVEYOR-CE TYPE

Allows good and bad board separation in a production line, and can be used visual inspection of PCB's without interrupting the PCB's flow



CETYPE



STANDARD

Features

- SMEMA Interface
- Touch screen
- Compact design
- Durable structure by double base plate
- Reject, inspect and pass through modes provided
- Buzzer, SMEMA Interface LED display
- Cover design safe from dust and mote

Options

- Auto width control system
- Conveyor speed control
- PCB cooling fan
- Adding more stages
- RS-232C communication with SPI
- Customized Manufacturing

MODEL	TYPE	Max. PCB(L xW)	Min. PCB(L xW)	Dimension(L xW xH)	Power	Weight (kg)
ANRC-100CE-S	S	330x250	50x50	1000x700x1025	0.3kVA	150
ANRC-100CE-Y	Y	440x330		1000x750x1025		160
ANRC-100CE-L	L	530x375		1000x800x1025		170
ANRC-100CE-X	X	530x460		1000x850x1025		180
ANRC-100CE-2X	2X	610x460		1000x910x1025		190



Setting the Standard GATE CONVEYOR

This unit allows passage between the front and rear of machines without interrupting the PCB flow



Features

- PLC control
- SMEMA interface
- Compact design
- Durable structure by double base plate
- Buzzer, SMEMA interface LED display
- Timing belt adoption for low-noise & low-vibration
- Applied diverse conveyor rail length
- Slide method using by stepping motor
- ESD cover safe from dust and particulate

Options

- Decreased M/C length by 2 plat from sliding operation
- Motorized auto width control system
- Work table type
- Motorized conveyor speed control
- Touch screen operation
- Customized Manufacturing

MODEL	TYPE	Max. PCB(L × W)	Min. PCB(L × W)	Dimension(L × W × H)	Power	Weight (kg)
AG1-80S	S	330 × 250	50 × 50	1400(800+600) × 580 × 980	0.3kVA	130
AG1-80Y	Y	440 × 330		1400(800+600) × 660 × 980		140
AG1-80L	L	530 × 375		1400(800+600) × 705 × 980		150
AG1-80X	X	530 × 460		1400(800+600) × 790 × 980		160
AG1-802X	2X	610 × 460		1400(800+600) × 790 × 980		160



Setting the Standard WAVE SOLDERING **IN/OUT FEED CONVEYOR**

Transfers PCB located at the front/rear of
WAVE SOLDERING MACHINE in the PCB assembly line



IN FEED

Features

- Compact design
- Durable structure by double base plate
- Motorized conveyor speed control
- Adjustable conveyor angle

Options

- Motorized auto width control system
- Touch screen operation
- Customized Manufacturing



OUT FEED

MODEL	TYPE	Max. PCB(L ×W)	Min. PCB(L ×W)	Dimension(L ×W ×H)	Power	Weight (kg)
AIC-150S	S	330×250	50×50	600×900×820	0.2kVA	70
AIC-150Y	Y	440×330		600×710×820		80
AIC-150L	L	530×375		600×750×820		90
AIC-150X	X	530×460		600×830×820		100
AIC-1502X	2X	610×460		700×830×820		110

MODEL	TYPE	Max. PCB(L ×W)	Min. PCB(L ×W)	Dimension(L ×W ×H)	Power	Weight (kg)
AOC-300S	S	330×250	50×50	2300×630×1465	0.5kVA	170
AOC-300Y	Y	440×330		2500×710×1465		190
AOC-300L	L	530×375		2700×750×1465		210
AOC-300X	X	530×460		2700×830×1465		230
AOC-3002X	2X	610×460		2900×830×1465		250



Setting the Standard SHUTTLE CONVEYOR-TRAVERSER

This unit effectively connects DUAL and SINGLE conveyor



Features

- Dual SMEMA interface, Touch screen operation
- Effective PCB supply by 6 modes
- Adjustable PCB position in/Out1/Out2-in1/in2/Out
- Applied sliding speed control function
- Durable structure by double base plate
- Buzzer SMEMA interface
- LM guide adoption for low-noise & low-vibration
- Diverse conveyor rail length & sliding stroke
- Slided method by servo motor
- ESD safety cover
- Standard Stroke : 460mm

Options

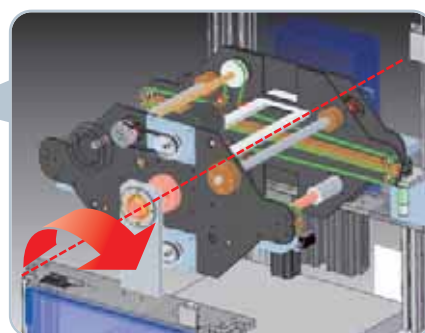
- Aux. Dual buffer conveyor
- Motorized auto width control system
- Motorized conveyor speed control
- Barcode function by vision camera
- Customized Manufacturing

MODEL	TYPE	Max. PCB(L × W)	Min. PCB(L × W)	Dimension(L × W × H)	Power	Weight (kg)
ASHC-460S	S	330 × 250	50 × 50	500 × 1050 × 1050	0.3kVA	130
ASHC-460Y	Y	440 × 330		500 × 1050 × 1050		140
ASHC-460L	L	530 × 375		600 × 1200 × 1050		150
ASHC-460X	X	530 × 460		700 × 1200 × 1050		150
ASHC-460X	2X	610 × 460		700 × 1200 × 1050		160



Setting the Standard INVERTER-VERTICAL TURN CONVEYOR

This unit flips the PCB's for double sided assembly



Features

- SMEMA interface
- Compact design
- Durable structure by double base plate
- Buzzer, SMEMA interface LED display
- Decreased PCB stress by dual cylinder
- Cover design safe from dust particle
- LED tower light

Options

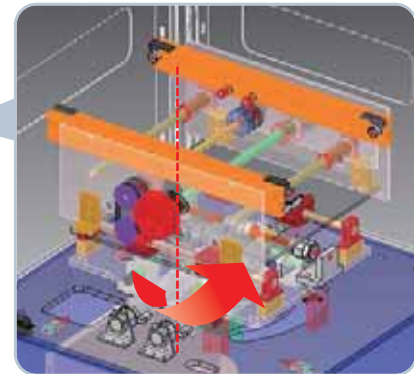
- Motorized auto width control system
- Aux. buffer conveyor
- Motorized conveyor speed control
- Touch screen operation
- Customized Manufacturing

MODEL	TYPE	Max. PCB(L × W)	Min. PCB(L × W)	Dimension(L × W × H)	Power	AIR(Mpa)	Weight (kg)
AVT-S	S	330×250	50×50	500×640×1350	0.3kVA	0.5±0.1	120
AVT-Y	Y	440×330		600×720×1350			130
AVT-L	L	530×375		800×765×1350			140
AVT-X	X	530×460		800×850×1350			150
AVT-2X	2X	610×460		800×850×1350			150



Setting the Standard TURING CONVEYOR-HORIZONTAL TURN CONVEYOR

Connects previous and next process when PCB flow changes at 90°



Features

- SMEMA interface
- Compact design
- Durable structure by double base plate
- Buzzer, SMEMA interface LED display
- Decreased PCB stress by shock absorber
- Safe turning system by cylinder
- Cover design safe from dust particle
- LED tower light

Options

- Motorized auto width control system
- Aux. buffer conveyor
- Motorized conveyor speed control
- Touch screen operation
- Customized Manufacturing

MODEL	TYPE	Max.PCB(L ×W)	Min.PCB(L ×W)	Dimension(L ×W ×H)	Power	AIR(Mpa)	Weight (kg)
AHT-S	S	330×250	50×50	600×600×1100	0.3kVA	0.5±0.1	120
AHT-Y	Y	440×330		700×700×1100			130
AHT-L	L	530×375		800×800×1100			140
AHT-X	X	530×460		900×900×1100			150
AHT-2X	2X	610×460		900×900×1100			150



Setting the Standard

MULTI FUNCTION TURNING CONVEYOR

Used when PCB flow changes at 90° and connects previous and next machine and also flip the PCB and supply it to the next machine (4 selectable function-PASS, V-TURN, MULTI TURN)



PASS

H-TURN

V-TURN

MULTI TURN

Features

- SMEMA interface
- Selectable horizontal and vertical operation separately or concurrently
- Touch screen operation
- Durable structure by double base plate
- Buzzer alarm function
- Decreased PCB stress by shock absorber
- Safe turning system by dual cylinder
- Cover design safe from dust and mote
- LED tower light

Options

- Motorized auto width control system
- Aux. buffer conveyor
- Motorized conveyor speed control
- Customized Manufacturing

MODEL	TYPE	Max.PCB(L×W)	Min.PCB(L×W)	Dimension(L×W×H)	Power	AIR(Mpa)	Weight (kg)
AHVT-S	S	330×250	50×50	600×900×1260	0.4kVA	0.5±0.1	150
AHVT-Y	Y	440×330		600×980×1260			160
AHVT-L	L	530×375		780×1025×1260			170
AHVT-X	X	530×460		780×1100×1260			180
AHVT-2X	2X	610×460		780×1100×1260			180



Setting the Standard

HORIZONTAL MULTI ANGLE TURNING CONVEYOR

Used to turn PCB 0°, 90°, 180°, 270° and supply it to next machine without changing line flow



- PASS
- SLIDING
- 90°H-TURN
- 180°H-TURN
- 270°H-TURN

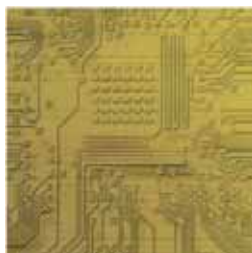
Features

- SMEMA interface
- Adjustable PCB flow
- Touch screen operation
- Compact design
- Durable structure by double base plate
- Buzzer alarm function
- Stable PCB turn by vacuum adsorption
- Cover design safe from dust particle

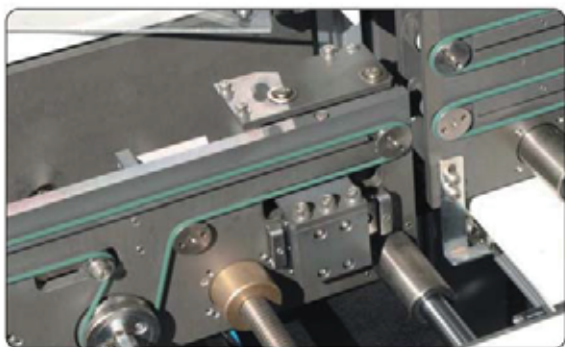
Options

- Motorized auto width control system
- Aux. buffer conveyor
- Motorized conveyor speed control
- Customized Manufacturing

MODEL	TYPE	Max.PCB(L ×W)	Min.PCB(L ×W)	Dimension(L ×W ×H)	Power	AIR(Mpa)	Weight (kg)
AHT-SM	S	330×250	PASS : 50×50 TURN : 100×100	550×900×1130	0.4kVA	0.5±0.1	160
AHT-YM	Y	440×330		700×980×1130			170
AHT-LM	L	530×375		800×1100×1130			180
AHT-XM	X	530×460		800×1100×1130			180
AHT-XM	2X	610×460		900×1100×1130			190



Setting the Standard INDIVIDUAL CONVEYOR DETAIL



CONTACTLESS DRIVE BY MAGNETIC ROLLER & LM GUIDE POWER TRAIN



RS-232C



PCB DETECT SENSOR



ESD COVER

WITHOUT

A worker filters NG PCB by hands one by one
Mounter stops operation during mask clean time
Difficult to stop SPI, while a worker picks up NG PCB
Difficult to re-insert NG PCB after visual inspection

WITH

NO need to filter NG PCB except NG PCB's are full in the device
The PCB in the multi rack moves in FIFO way during mask clean time
SPI operates normally even during NG PCB verification
Convenience of good change by call function

DUAL LANE CONVEYOR ○



LOADER



UNLOADER



LINK CONVEYOR



SHUTTLE+CONVEYOR



SHUTTLE CONVEYOR



SPI NG CONVEYOR



AOI NG CONVEYOR



WORK TABLE



GATE CONVEYOR

Certificate

The World Best
YJ LINK
<http://www.yjlink.com>



The world best in the field of IT F/A Equipment Manufacture, YJ LINK has manufactured and designed the machinery and facility of SMT, SMD LINE. We have been continually supported to the technology development for the machinery manufacturing for the best SMT, SMD line specification, the shorter tact time than before, the best working, the best environment and the best efficiency.

Certification : ISO & CE

