



Standard Terminals

SUMMARY



STANDARD TERMINALS

Summary

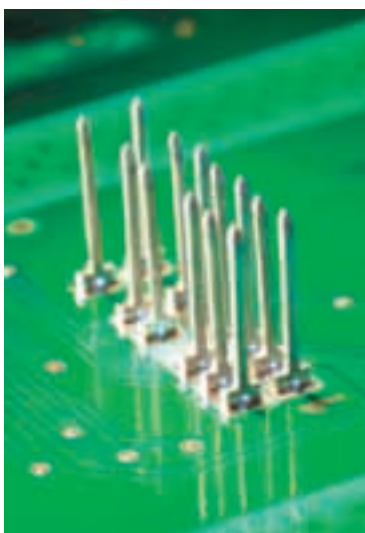
INTERCONNECT AND PROCESS AUTOMATION	4
SPECIFIC TERMINALS TO BE INSERTED	4
PART NUMBERING INFORMATION	5
ROHS DIRECTIVE	5

TERMINALS

● STANDARD CONSUMPTION	6
● 2.80 mm - THICKNESS 0.50 mm	9
● 2.80 mm - THICKNESS 0.80 mm	10
● 6.30 mm - THICKNESS 0.80 mm	12
● 6.35 mm - THICKNESS 0.80 mm	14
● SOLDER RECEPTACLE	17
● COMPONENTS BRACKET	20
● SEMI-AUTOMATIC INSERTION MACHINE : P300	22
● SEMI AUTOMATIC INSERTION MACHINE : P400	23
● AUTOMATIC INSERTION MACHINE : AXIS® 350	24
● PART NUMBER LOCATOR	25



INTERCONNECT and process automation



LOUPOT, partner to your products offer complete, innovative and cost effective interconnect solutions.

LOUPOT is at the disposal of its customers to design and manufacture special interconnect parts and connectors to specific customer requirements

LOUPOT is at the disposal of its customers and offers the competence of its engineers and technicians in stamping, moulding, overmoulding, assembly, mechatronic, insertion and preforming machines for interconnections.

SIMULTANEOUS ENGINEERING **Collaborative productivity** **for project competitiveness**

LOUPOT manages the development of your product from the concept phase onwards. The Research & Conception Department uses CAD (video-conference and networks IT) and is organised in customers orientated "project teams".

As all the engineering and manufacturing capabilities are situated on one site, Loupot provides the best environment to reduce time-to-market leadtimes and development costs, as well as maximising process efficiencies thereby improving product quality.

QUALITY ASSURANCE

LOUPOT is committed to a continuous development process in quality and has obtained ISO TS 16949 and ISO 9001 version 2000 . Quality of parts are followed up at each stage of production.

SPECIFIC TERMINALS **TO BE INSERTED**

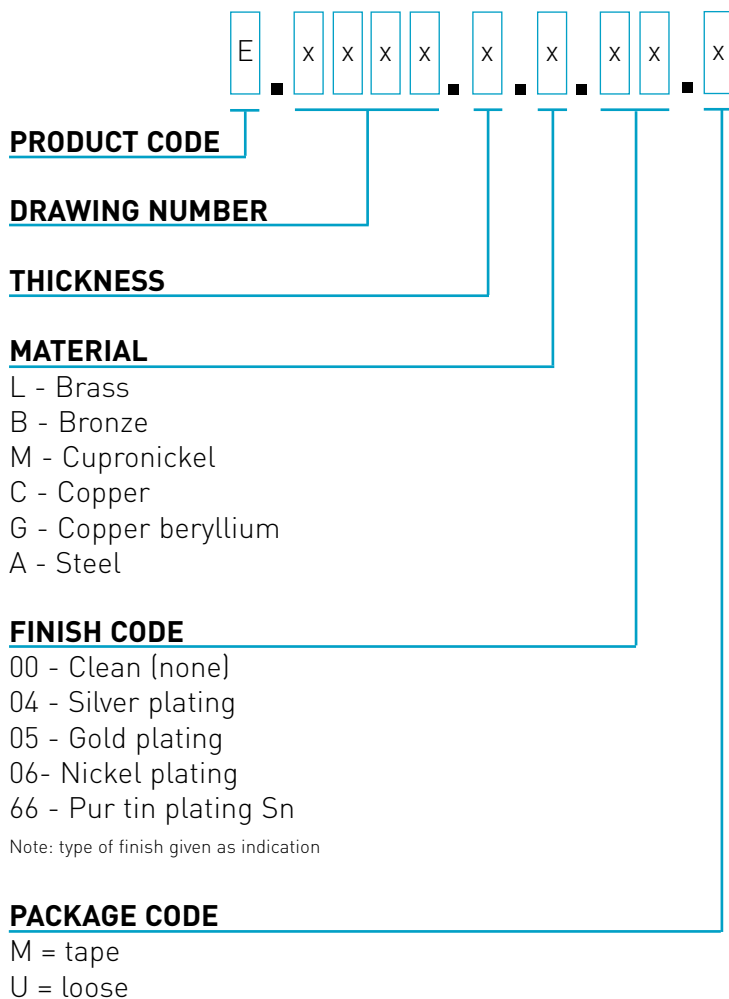
LOUPOT develops reeled or bandoliered connections as per customer specifications. Utilising the know-how of its toll makers and the high-precision equipment at its disposal, LOUPOT can work on the most demanding materials to meet the strictest of mechanical criteria. Connectors produced in this fashion can also be plated in accordance with RoHS standards. LOUPOT products have been designed for various assembly technologies (wave soldering on production lines, flow soldering on production lines, flow soldering on inserted terminals...), all supported by our wide range of assembly tools.

TYPES OF APPLICATIONS :
automotive, telecommunications, robotics.





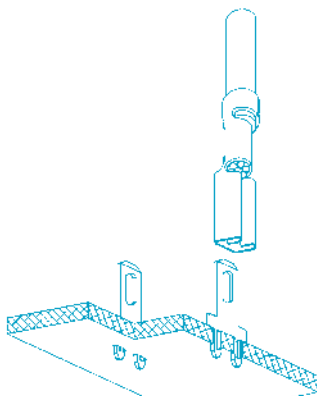
PART NUMBERING INFORMATION



EXAMPLE

Connections type E0184
thickness 0.5 mm, clean
brass, delivered reeled

REFERENCE :
E01845L00M



LOUPOT and the ROHS directive

We have developed a new lead-free process for our connectors to meet the new RoHS standards

CHARACTERISTICS

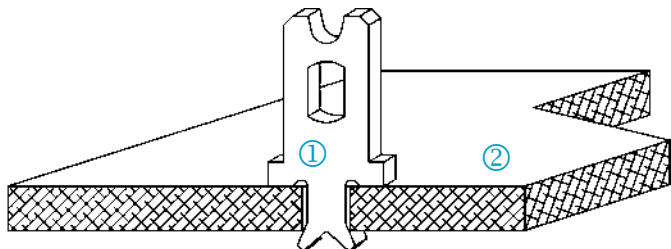
This process offers the following advantages.

- A new generation lead-free whisker reducing bath
- A better soldering performance
- A greater resistance to high-temperature soldering processes
- A smooth and stronger finish.



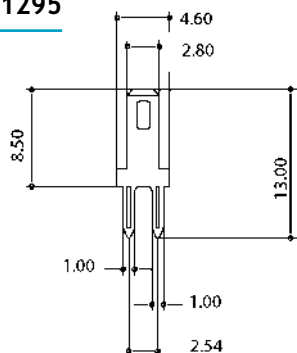
TERMINAL Standard consumption

THICKNESS 0.50 mm



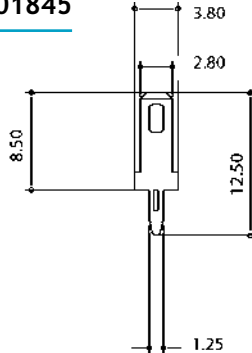
- ① - TERMINALS TO BE INSERTED
- ② - PCB

E01295



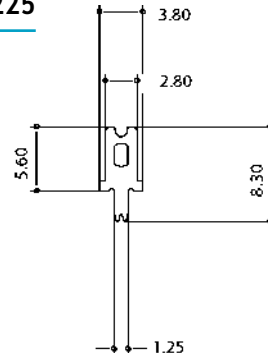
Ø PCB hole : 1.00 mm* - Thickness : 0.50 mm

E01845



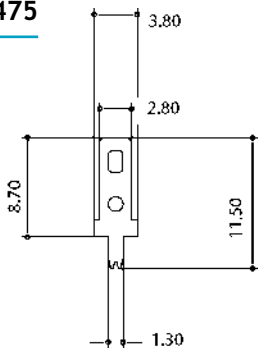
Ø PCB hole : 1.20 mm* - Thickness : 0.50 mm

E04225



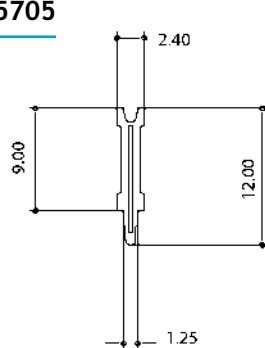
Ø PCB hole : 1.25 mm* - Thickness : 0.50 mm

E04475



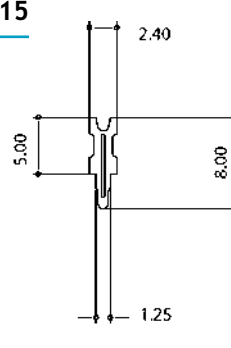
Ø PCB hole : 1.30 mm* - Thickness : 0.50 mm

E05705



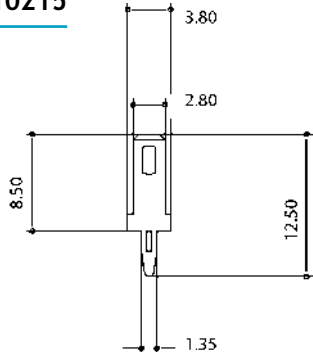
Ø PCB hole : 1.20 mm* - Thickness : 0.50 mm

E05715



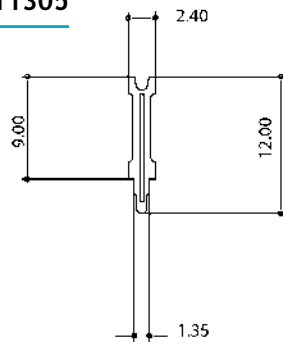
Ø PCB hole : 1.20 mm* - Thickness : 0.50 mm

E10215



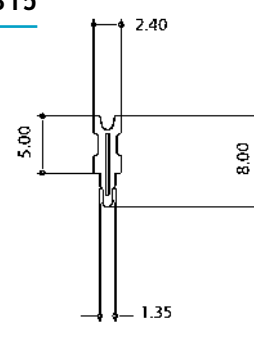
Ø PCB hole : 1.30 mm* - Thickness : 0.50 mm

E11305



Ø PCB hole : 1.30 mm* - Thickness : 0.50 mm

E11315

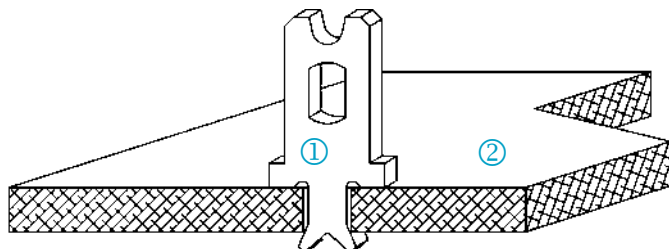


Ø PCB hole : 1.30 mm* - Thickness : 0.50 mm



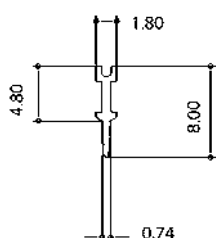
TERMINAL Standard consumption

THICKNESSES 0.60 mm- 0.80 mm



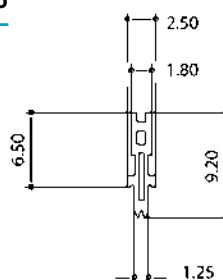
- ① - TERMINALS TO BE INSERTED
- ② - PCB

E02066



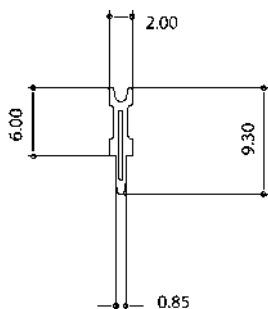
∅ PCB hole : 0.80 mm* - Thickness : 0.60 mm

E03096



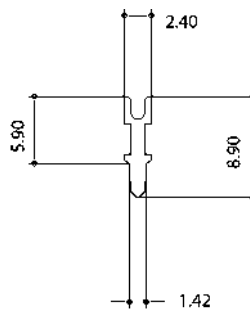
∅ PCB hole : 1.30 mm* - Thickness : 0.60 mm

E03966



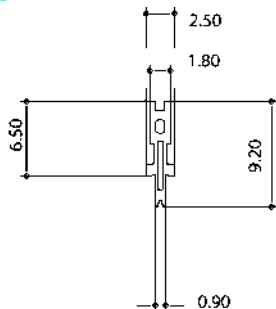
∅ PCB hole : 0.90 mm* - Thickness : 0.60 mm

E04816



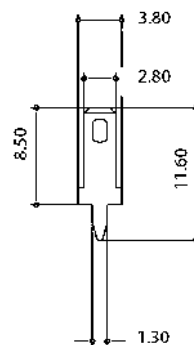
∅ PCB hole : 1.40 mm* - Thickness : 0.60 mm

E06896



∅ PCB hole : 1.00 mm* - Thickness : 0.60 mm

E03408

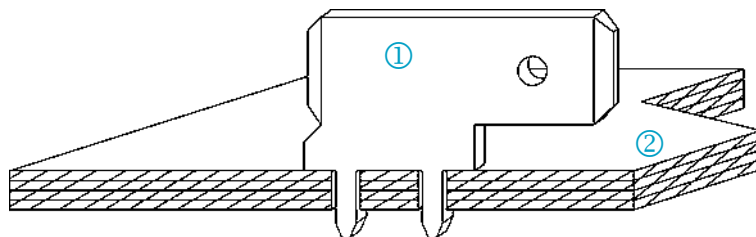


∅ PCB hole : 1.30 mm* - Thickness : 0.80 mm



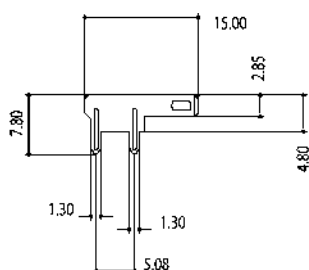
TERMINAL Standard consumption

THICKNESSES 0.50 mm - 0.80 mm



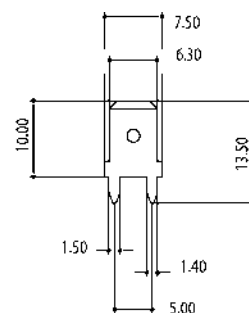
- ① - TERMINALS TO BE INSERTED
- ② - PCB

E01955



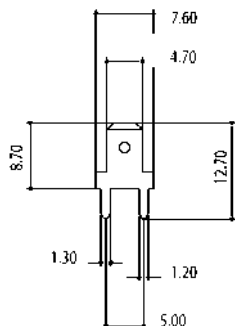
∅ PCB hole : 1.20 mm* - Thickness : 0.50 mm

E03228



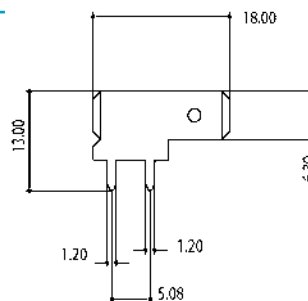
∅ PCB hole : 1.50 mm* - Thickness : 0.80 mm

E04828



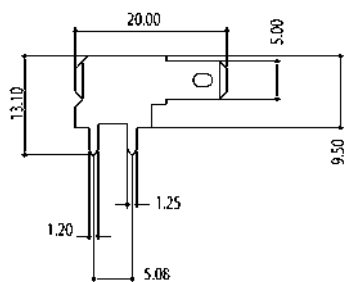
∅ PCB hole : 1.40 mm* - Thickness : 0.80 mm

E05088



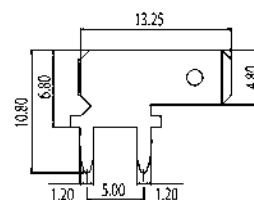
∅ PCB hole : 1.30 mm* - Thickness : 0.80 mm

E09438



∅ PCB hole : 1.30 mm* - Thickness : 0.80 mm

E27188



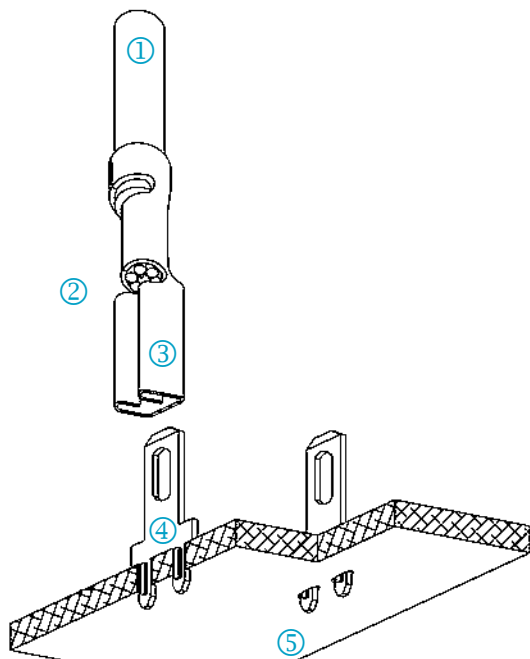
∅ PCB hole : 1.30 mm* - Thickness : 0.80 mm

* JUST AS INDICATION (DEPENDS ON PCB THICKNESS AND MATERIAL)



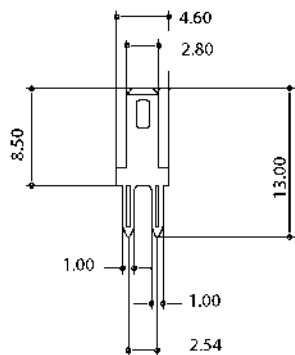
TERMINAL 2.80 mm

THICKNESS 0.50 mm



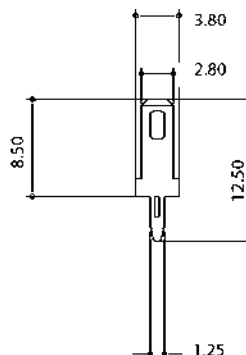
- ① - INSULATION
- ② - UNINSULATED WIRE
- ③ - 2.80 mm RECEPTACLE
- ④ - 2.80 mm TABS
- ⑤ - PCB

E01295



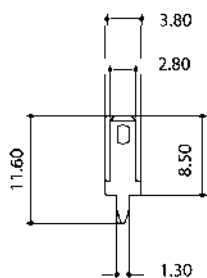
∅ PCB hole : 1.00 mm* - Thickness : 0.50 mm

E01845



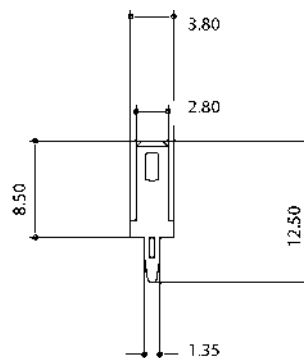
∅ PCB hole : 1.20 mm* - Thickness : 0.50 mm

E03405



∅ PCB hole : 1.30 mm* - Thickness : 0.50 mm

E10215

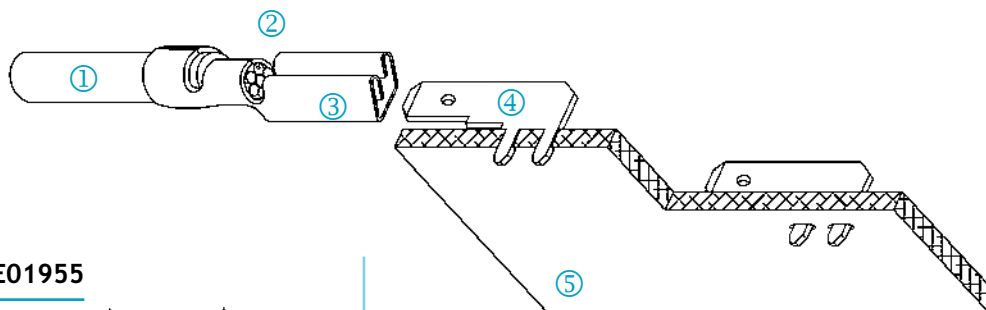


∅ PCB hole : 1.30 mm* - Thickness : 0.50 mm

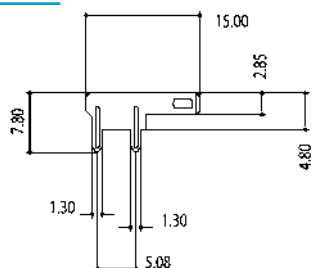


TERMINAL 2.80 mm

THICKNESSES 0.50 mm- 0.80 mm



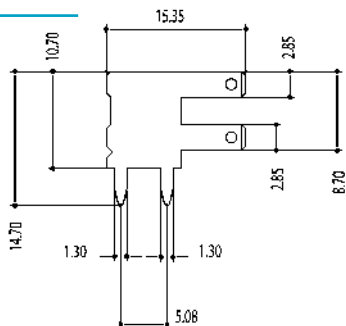
E01955



Ø PCB hole : 1.20 mm* - Thickness : 0.50 mm

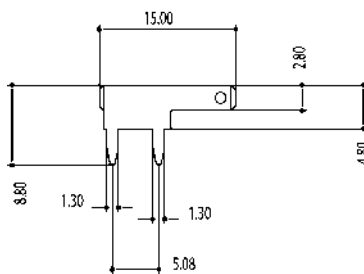
- ① - INSULATION
- ② - UNINSULATED WIRE
- ③ - 2.80 mm RECEPTACLE
- ④ - 2.80 mm TABS
- ⑤ - PCB

E02085



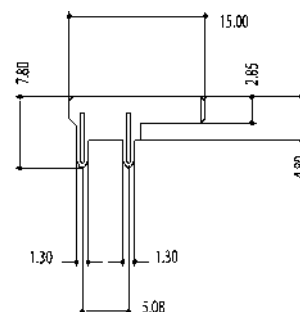
Ø PCB hole : 1.20 mm* - Thickness : 0.50 mm

E03345



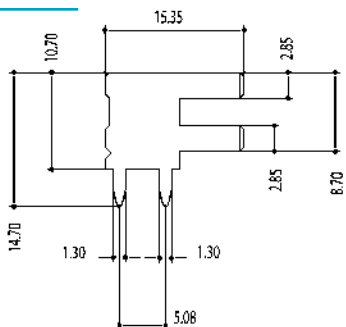
Ø PCB hole : 1.20 mm* - Thickness : 0.50 mm

E06735



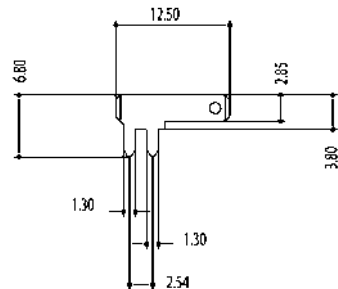
Ø PCB hole : 1.20 mm* - Thickness : 0.50 mm

E06745



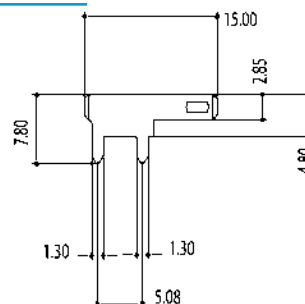
Ø PCB hole : 1.20 mm* - Thickness : 0.50 mm

E15715



Ø PCB hole : 1.20 mm* - Thickness : 0.50 mm

E01958

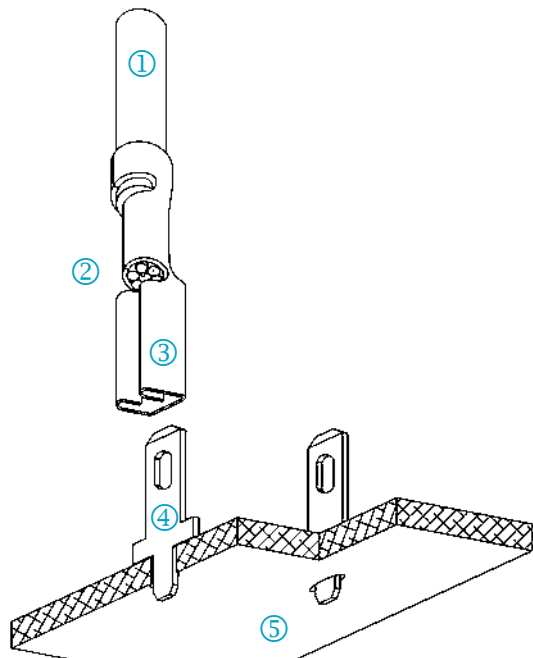


Ø PCB hole : 1.40 mm* - Thickness : 0.80 mm



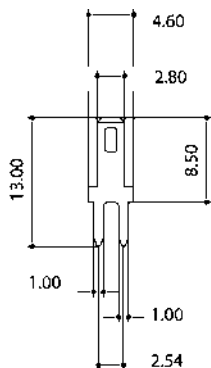
TERMINAL 2.80 mm

THICKNESS 0.80 mm



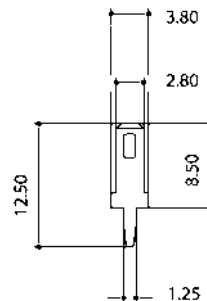
- ① - INSULATION
- ② - UNINSULATED WIRE
- ③ - 2.80 mm RECEPTACLE
- ④ - 2.80 mm TABS
- ⑤ - PCB

E01298



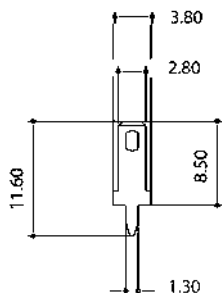
∅ PCB hole : 1.20 mm* - Thickness : 0.80 mm

E01848



∅ PCB hole : 1.30 mm* - Thickness : 0.80 mm

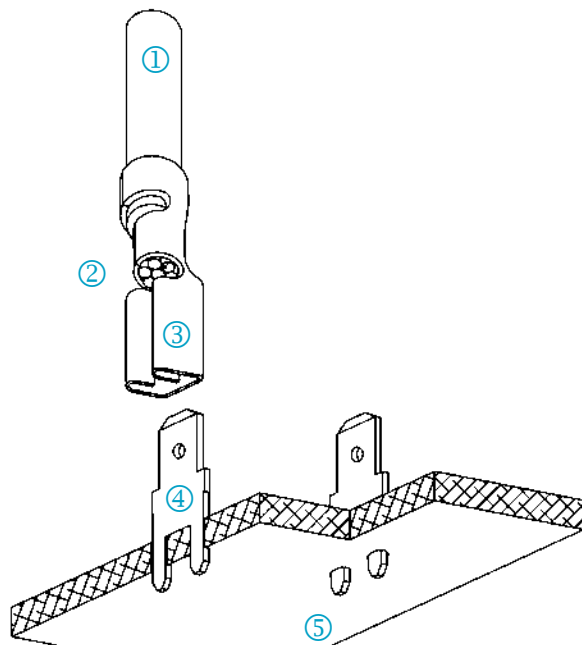
E03408



∅ PCB hole : 1.40 mm* - Thickness : 0.80 mm

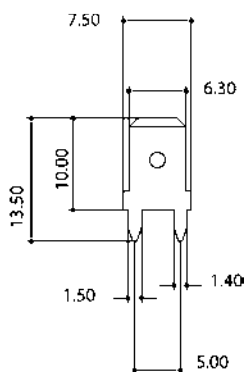
TERMINAL 6.30 mm

THICKNESS 0.80 mm



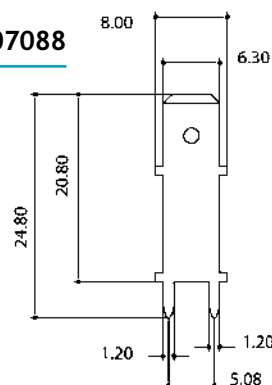
- ① - INSULATION
- ② - UNINSULATED WIRE
- ③ - 6.30 mm RECEPTACLE
- ④ - 6.30 mm TABS
- ⑤ - PCB

E03228



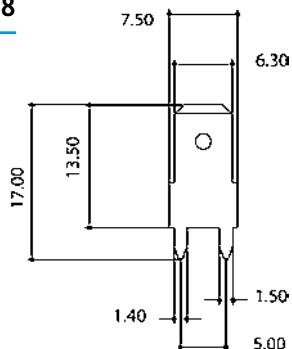
Ø PCB hole : 1.50 mm* - Thickness : 0.80 mm

E07088



Ø PCB hole : 1.30 mm* - Thickness : 0.80 mm

E07898



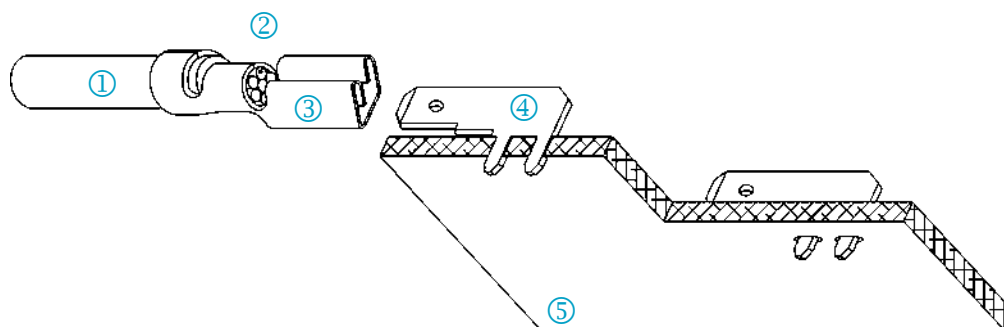
Ø PCB hole : 1.50 mm* - Thickness : 0.80 mm

* JUST AS INDICATION (DEPENDS ON PCB THICKNESS AND MATERIAL)



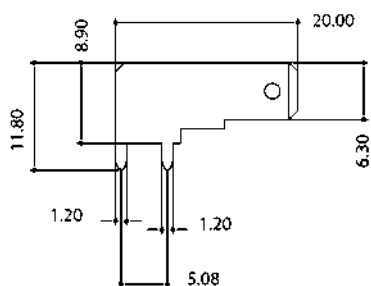
TERMINAL 6.30 mm

THICKNESS 0.80 mm



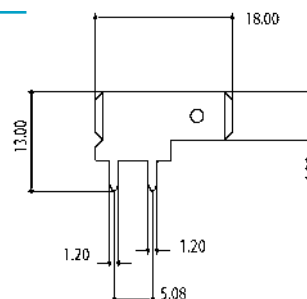
- ① - INSULATION
- ② - UNINSULATED WIRE
- ③ - 6.30 mm RECEPTACLE
- ④ - 6.30 mm TABS
- ⑤ - PCB

E02608



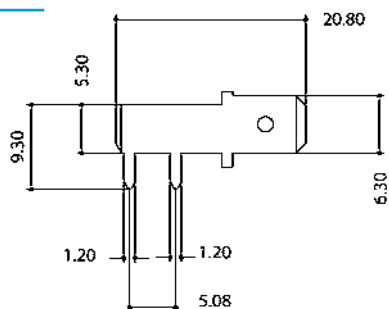
∅ PCB hole : 1.30 mm* - Thickness : 0.80 mm

E05088



∅ PCB hole : 1.30 mm* - Thickness : 0.80 mm

E08418

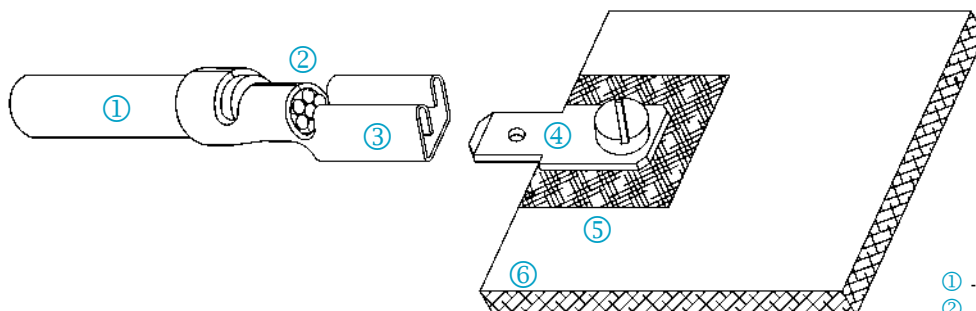


∅ PCB hole : 1.30 mm* - Thickness : 0.80 mm

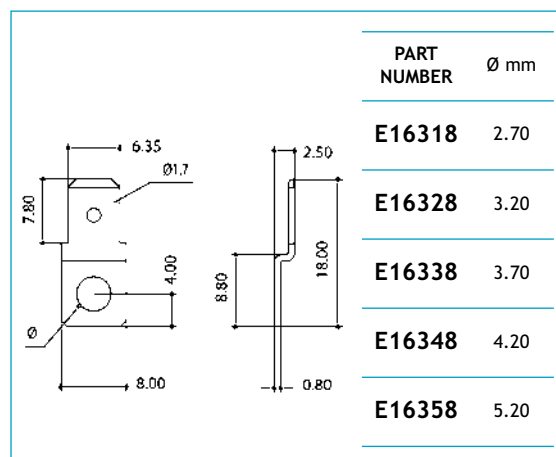
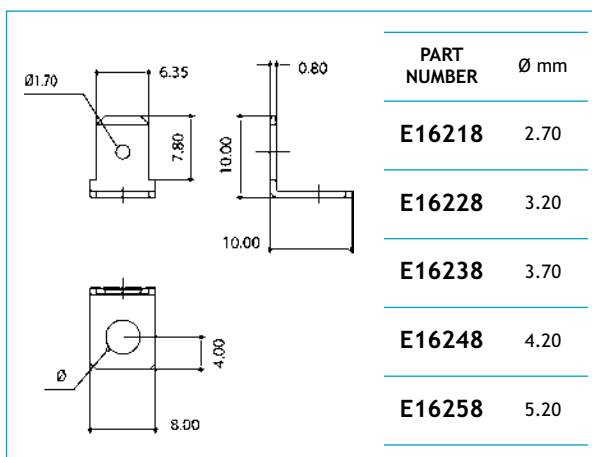
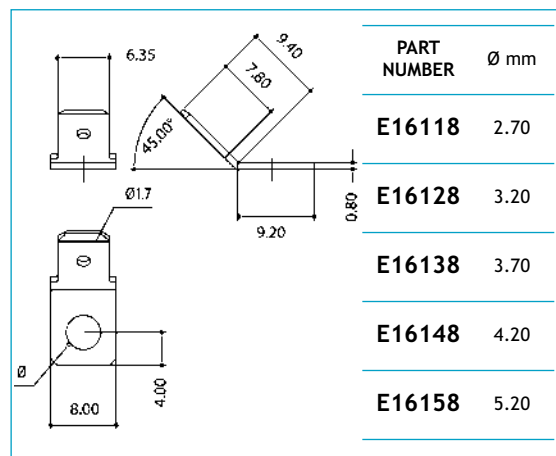
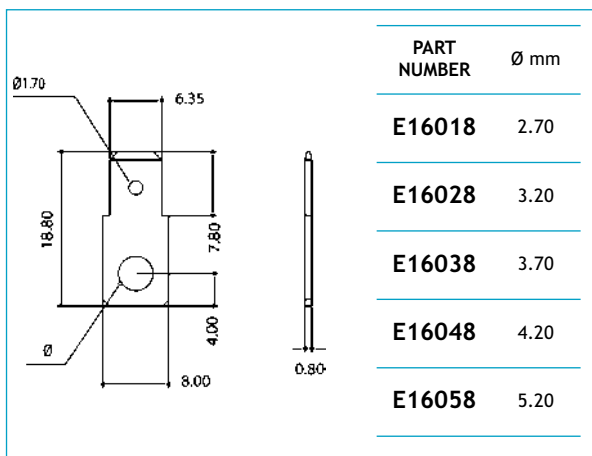


TERMINAL 6.35 mm

THICKNESS 0.80 mm



- ① - INSULATION
- ② - UNINSULATED WIRE
- ③ - 6.35 mm RECEPTACLE
- ④ - 6.35 mm TABS
- ⑤ - CONTACT AREA
- ⑥ - PCB

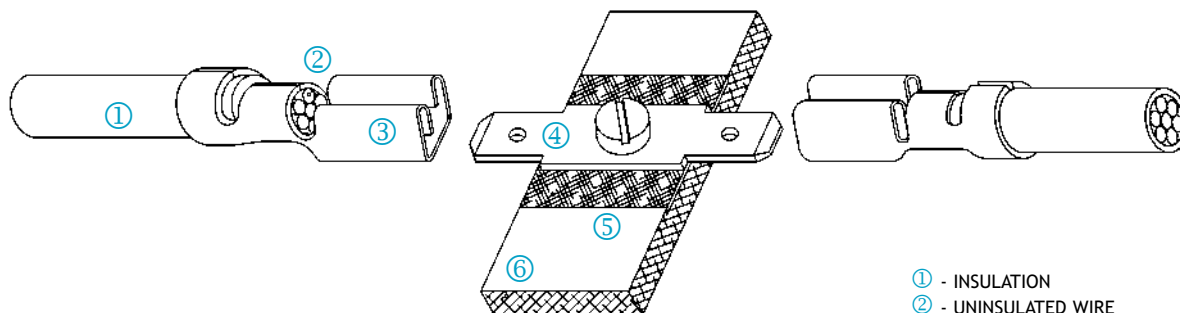


NOTA : Can be delivered in bars of several terminals. By ordering, please specify the number requested.

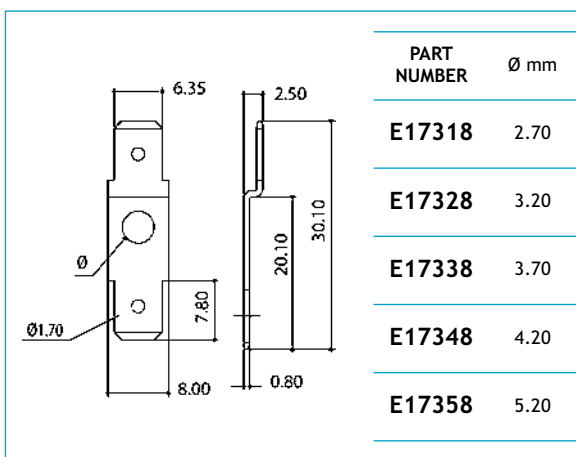
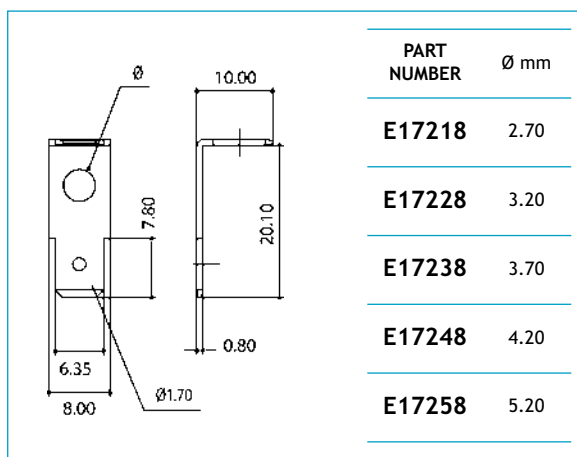
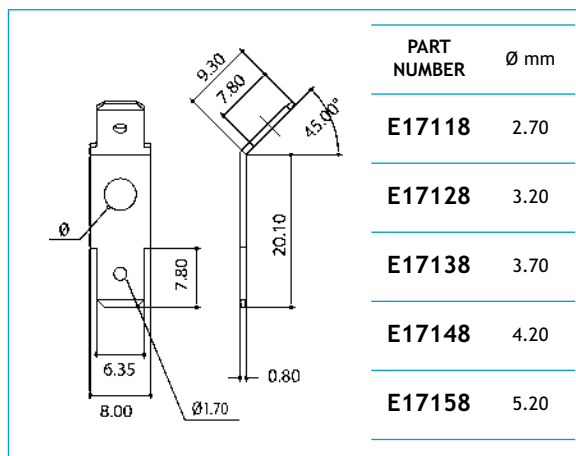
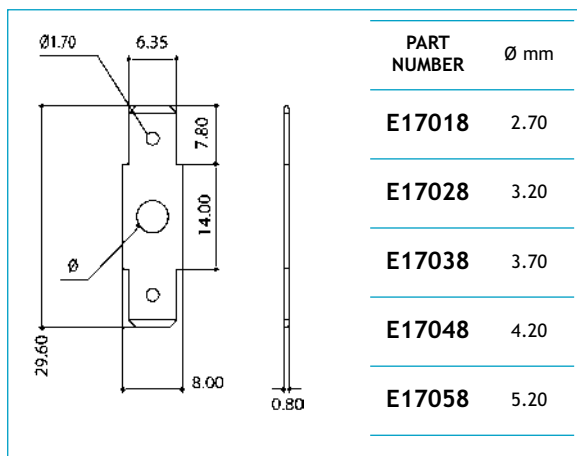


TERMINAL 6.35 mm

THICKNESS 0.80 mm



- ① - INSULATION
- ② - UNINSULATED WIRE
- ③ - 6.35 mm RECEPTACLE
- ④ - 6.35 mm TABS
- ⑤ - CONTACT AREA
- ⑥ - PCB

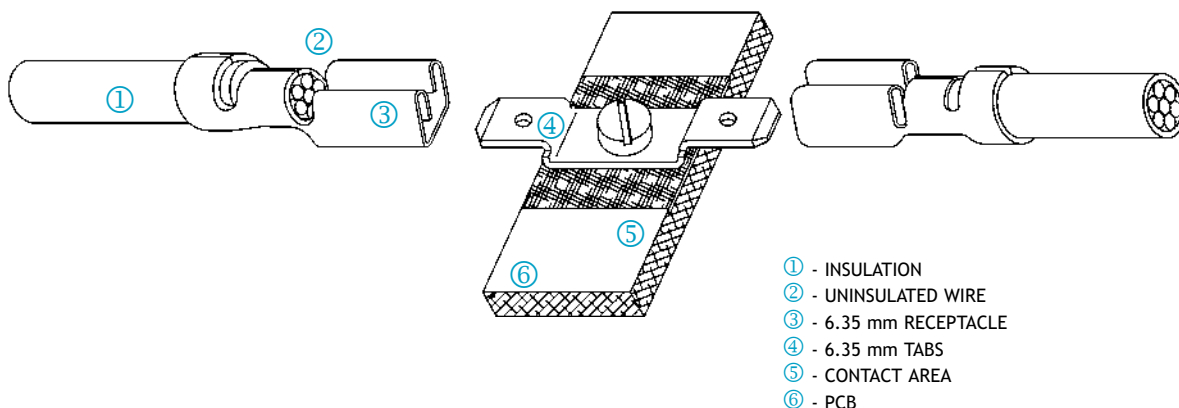


NOTA : Can be delivered in bars of several terminals. By ordering, please specify the number requested.



TERMINAL 6.35 mm

THICKNESS 0.80 mm



- ① - INSULATION
- ② - UNINSULATED WIRE
- ③ - 6.35 mm RECEPTACLE
- ④ - 6.35 mm TABS
- ⑤ - CONTACT AREA
- ⑥ - PCB

PART NUMBER	Ø mm
	E17418
E17428	3.20
E17438	3.70
E17448	4.20
E17458	5.20

PART NUMBER	Ø mm
	E17518
E17528	3.20
E17538	3.70
E17548	4.20
E17558	5.20

PART NUMBER	Ø mm
	E17618
E17628	3.20
E17638	3.70
E17648	4.20
E17658	5.20

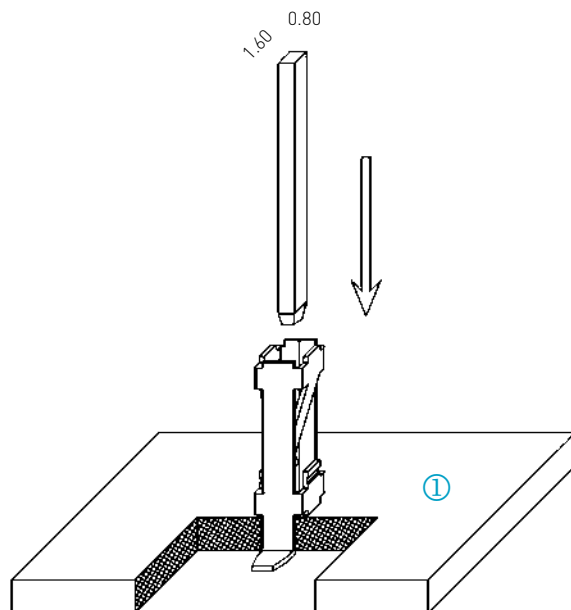
PART NUMBER	Ø mm
E17618	2.70
E17628	3.20
E17638	3.70
E17648	4.20
E17658	5.20

NOTA : Can be delivered in bars of several terminals. By ordering, please specify the number requested.



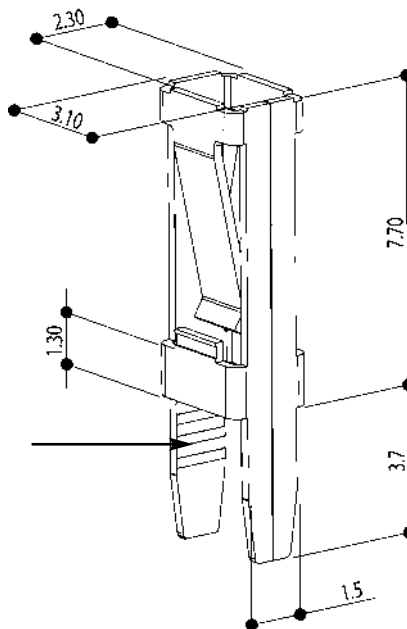
TERMINAL Solder receptacle

VERTICAL OR HORIZONTAL ENTRY



E25752 / E25762

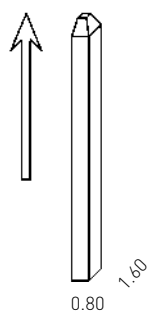
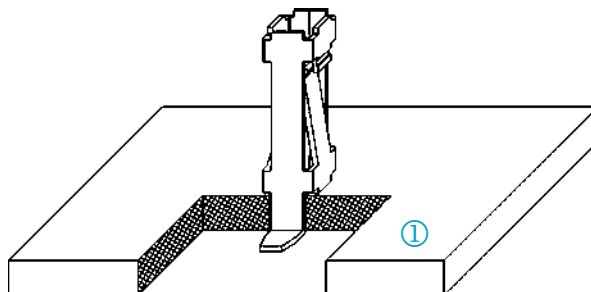
SOLDER STOP AREA
(optional)



RECTANGULAR BORING : 3.30 x 1.60 mm*

TERMINAL Solder receptacle

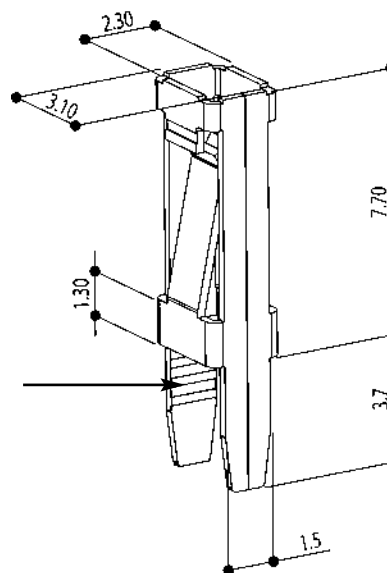
VERTICAL OR HORIZONTAL ENTRY



① - PCB

E25772 / E25782

SOLDER STOP AREA
(optional)

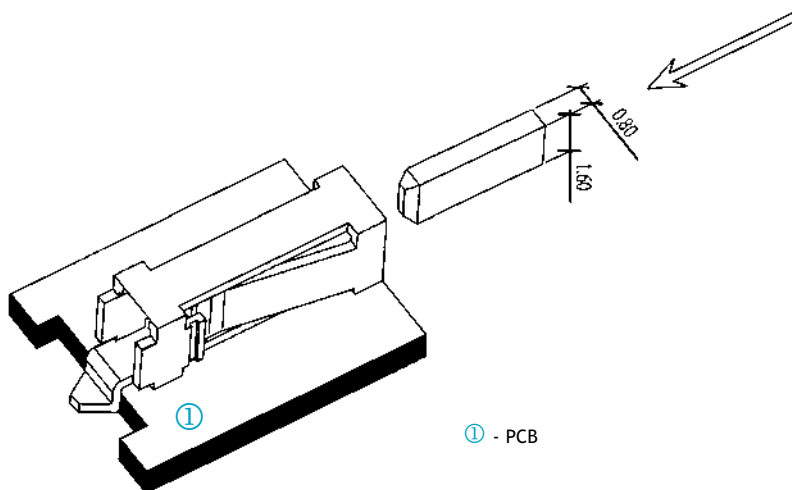


RECTANGULAR BORING : 3.30 x 1.60 mm*

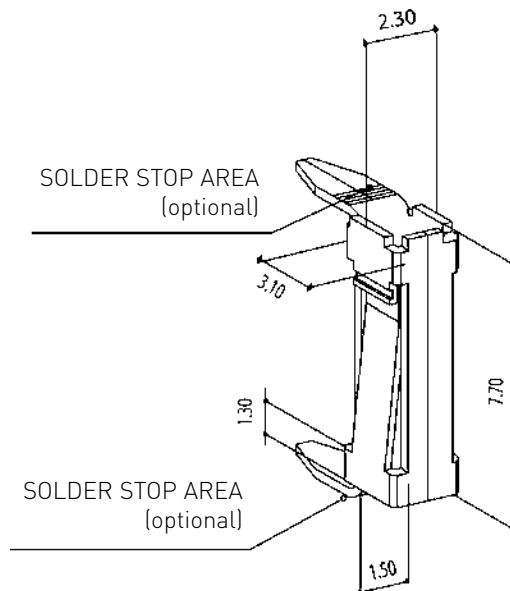


TERMINAL Solder receptacle

VERTICAL OR HORIZONTAL ENTRY



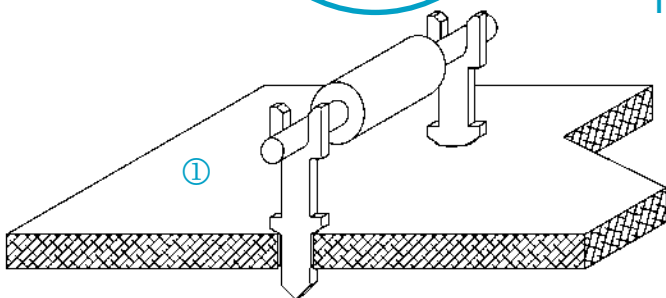
E25742



BORING : 2x Ø 1,85 TO AXIS 8,64

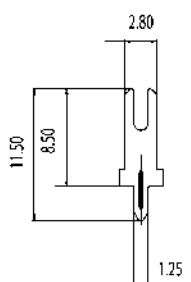
TERMINAL Components bracket

THICKNESSES 0.50 mm- 0.60 mm



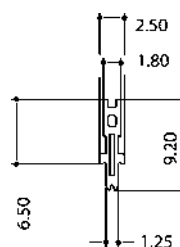
① - PCB

E01945



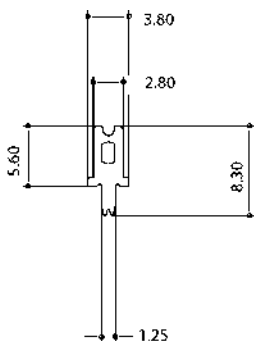
Ø PCB hole : 1.20 mm* - Thickness : 0.50 mm

E03096



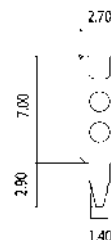
Ø PCB hole : 1.30 mm* - Thickness : 0.60 mm

E04225



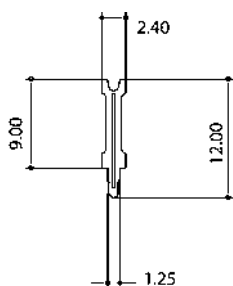
Ø PCB hole : 1.25 mm* - Thickness : 0.50 mm

E04795



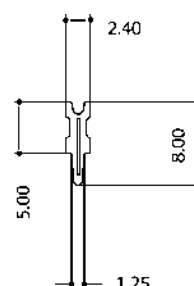
Ø PCB hole : 1.20 mm* - Thickness : 0.50 mm

E05705



Ø PCB hole : 1.20 mm* - Thickness : 0.50 mm

E05715



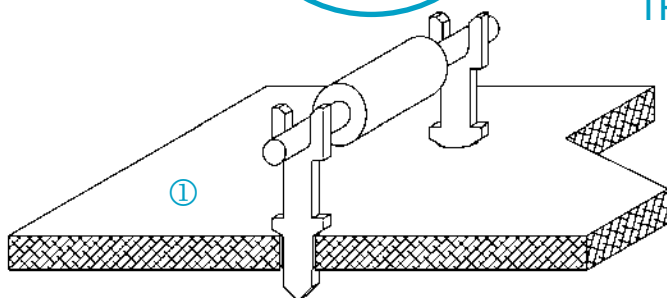
Ø PCB hole : 1.20 mm* - Thickness : 0.50 mm

* JUST AS INDICATION (DEPENDS ON PCB THICKNESS AND MATERIAL)



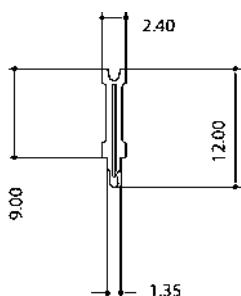
TERMINAL Components bracket

THICKNESSES 0.50 mm - 0.60 mm



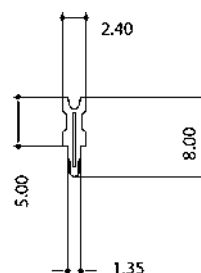
① - PCB

E11305



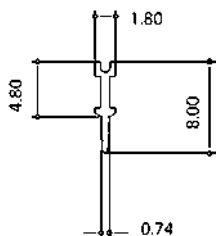
∅ PCB hole : 1.30 mm* - Thickness : 0.50 mm

E11315



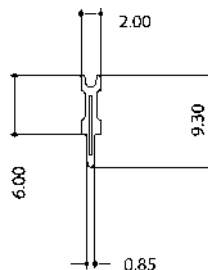
∅ PCB hole : 1.30 mm* - Thickness : 0.50 mm

E02066



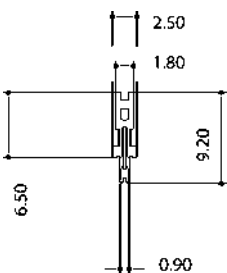
∅ PCB hole : 0.80 mm* - Thickness : 0.60 mm

E03966



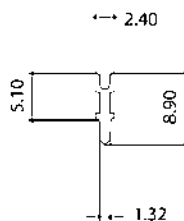
∅ PCB hole : 0.90 mm* - Thickness : 0.60 mm

E06896



∅ PCB hole : 1.00 mm* - Thickness : 0.60 mm

E11376



∅ PCB hole : 1.30 mm* - Thickness : 0.60 mm



TERMINAL P300 insertion machine

SEMI-AUTOMATIC
FOR REELED CONNECTIONS



The P300 machine is adapted to small and medium volume. It solves the insertion needs of reeled connections on any support and offer the following advantages : flexibility, reliability and productivity.

Technical characteristics

- Electropneumatic machine PLC controlled.
- Production rate (machine time) 7.200 per hour.
- Production rate (operator time) 1.500 per hour
- Bracketed depth : 150 m.
- Dimensions : H = 490 mm x L = 480 mm x l = 480 mm.
- Weight : 70 kg.
- Power supply : 220 V AC/ 50 Hz single-phase.
- Air supply : 5,5 bars mini.
- Security : conform to EC standards.
- Options : manual, guided XY movement, automatic waste aspiration.
- Insertion tools
 - Standard or specific toolings,
 - Insertion detection (option).
 - Clinching system to maintain terminal under PCB.
 - Reel capacity 5000 to 20000 units.



TERMINAL P400 insertion machine

SEMI-AUTOMATIC FOR STAMPED TERMINALS AND SMD CONNECTIONS



The P400 machine is adapted to small and medium volume. It solves the insertion needs of reeled connections on any support and offer the following advantages : flexibility, reliability and productivity.

It is designed to be compatible with insertion tools that are compatible with or adaptable to AXIS® type automatic machines.

Technical characteristics

- Electropneumatic machines PLC controlled.
- Production rate (machine time) 7.200 per hour.
- Production rate (operator time) 1.500 per hour
- Insertion zone : 450 x 450 mm.
- Dimensions
H = 1.600 mm x L = 750 mm x l = 1.000 mm.
- Weight : 120 kg.
- Power supply 220 VAC / 50 Hz single-phase.
- Air supply : 5.5 bars mini.
- Security : conform to EC standards.
- Options : manual, guided XY movement, automatic waste aspiration.
- Insertion tools :
 - . Standard ou specific toolings,
 - . Interchangeable toolings,
 - . Fast removal system of the "easy change" head (option).
 - . Insertion detection (option).
 - . Clinching system to maintain terminal under PCB.
 - . Reel capacity 5000 to 20000 units.



TERMINAL AXIS[®] 350 insertion machine

AUTOMATIC FOR STAMPED TERMINALS AND SMD CONNECTIONS



The modular equipments of AXIS[®] range of machine are highly flexible and designed to answer to any requirements of an intensive industrial use. Facility of use, fast production change, tooling interchangeability and modularity allows an evolutive system.

Technical characteristics

- Controller : industrial PC under Windows, Connection modem / CD-Rom driver, 12" screen, touch sensitive screen.
- Support Dimensions :
H = 1500 mm x L = 1620 mm x l = 1700 mm.
- Weight : 800 kg.
- Power supply : 220 VAC / single-phase 50 Hz or 380 V / three-phase 50 Hz.
- Air supply : 5.5 bars mini.
- Security : Conform to EC standards.
- Equipment complying with SNEMA standard.

Configuration

- Stand alone or in line equipment with inside conveyor (option).
- One or two insertion heads for alternative work.
- Heads vertical displacement by pneumatic axis.
- Pneumatic lower tool.

- High precision ballscrews on each X, Y axis.
- Machine fit on leveling wedges.

Working station

- Ergonomic control desk mounted on main frame.
- No specific training required for the operator.
- Easy access to facilitate maintenance.
- Safety and sound enclosure.

Control

- Driving by industrial PC and PLC : program logic controller.
- Simple ISO programming.

Security

- Working area secured with door or safety light curtains (option).

Plate

- X/Y mobile plate which could receive one or several PCB supports.
- Ballscrews moves and rotations driven by brushless motors.
- Rotative table with a digital rotary axis.
- Adjustable metal rules and locatings or specific loading plate.
- Maximum insertion zone : 350 x 350 mm.

Production rate

- Up to 5000 insertions / hour with pneumatic features.
- Up to 7200 insertions / hour digital axial option.

Insertion tool

- Standard or specific tooling.
- Snapped system allowing a mechanical holding of the connections before the soldering process during operations.
- Perpendicularity : $\pm 2^\circ$ (depends on the connection height).
- Insertion detection.
- Automatic waste aspiration.
- Fast removal system of the "easy change" head.

Options

- Vision system for automatic position correction.
- Bar code reading with tracability soft.
- Remote control and maintenance through modem.
- Measure of insertion force with force sensor.
- Digital axis for :
 - head displacement.
 - lower tool.
- Inside conveyor for machine in line.
- Paper suction system with receiving box.



TERMINAL

Part number locator

REFERENCE	PAGE	REFERENCE	PAGE	REFERENCE	PAGE
E01295	6-9	E16008	14	E17218	15
E01298	11	E16018	14	E17228	15
E01845	6-9	E16028	14	E17238	15
E01848	11	E16038	14	E17248	15
E01945	20	E16048	14	E17258	15
E01955	8-10	E16058	14	E17308	15
E01958	10	E16108	14	E17318	15
E02066	7-21	E16118	14	E17328	15
E02085	10	E16128	14	E17338	15
E02608	13	E16138	14	E17348	15
E03096	7	E16148	14	E17358	15
E03228	8-12	E16158	14	E17408	16
E03345	10	E16208	14	E17418	16
E03405	9	E16218	14	E17428	16
E03408	7-11	E16228	14	E17438	16
E03096	20	E16238	14	E17448	16
E03966	7-21	E16248	14	E17458	16
E04225	6-20	E16258	14	E17508	16
E04475	6	E16308	14	E17518	16
E04795	20	E16318	14	E17528	16
E04816	7	E16328	14	E17538	16
E04828	8	E16338	14	E17548	16
E05088	8-13	E16348	14	E17558	16
E05705	6-20	E16358	14	E17608	16
E05715	6-20	E17008	15	E17618	16
E06735	10	E17018	15	E17628	16
E06745	10	E17028	15	E17638	16
E06896	7-21	E17038	15	E17648	16
E07088	12	E17048	15	E17658	16
E07898	12	E17058	15	E25742	19
E08418	13	E17108	15	E25752	17
E09438	8	E17118	15	E25762	17
E10215	6	E17128	15	E25772	18
E10215	9	E17138	15	E25782	18
E11305	6-21	E17148	15	E27188	8
E11315	6-21	E17158	15	P300	22
E11376	21	E17208	15	P400	23
E15715	10			AXIS	24





LOUPOT S.A.S.
103, AVENUE DE TY-BOS
29556 QUIMPER CEDEX 09
TEL. : +33 2 98 65 66 67
FAX : +33 2 98 90 19 17

SUMMARY

[Home](#)

e-mail : contact@loupot.com

[http : //www.loupot.com](http://www.loupot.com)

